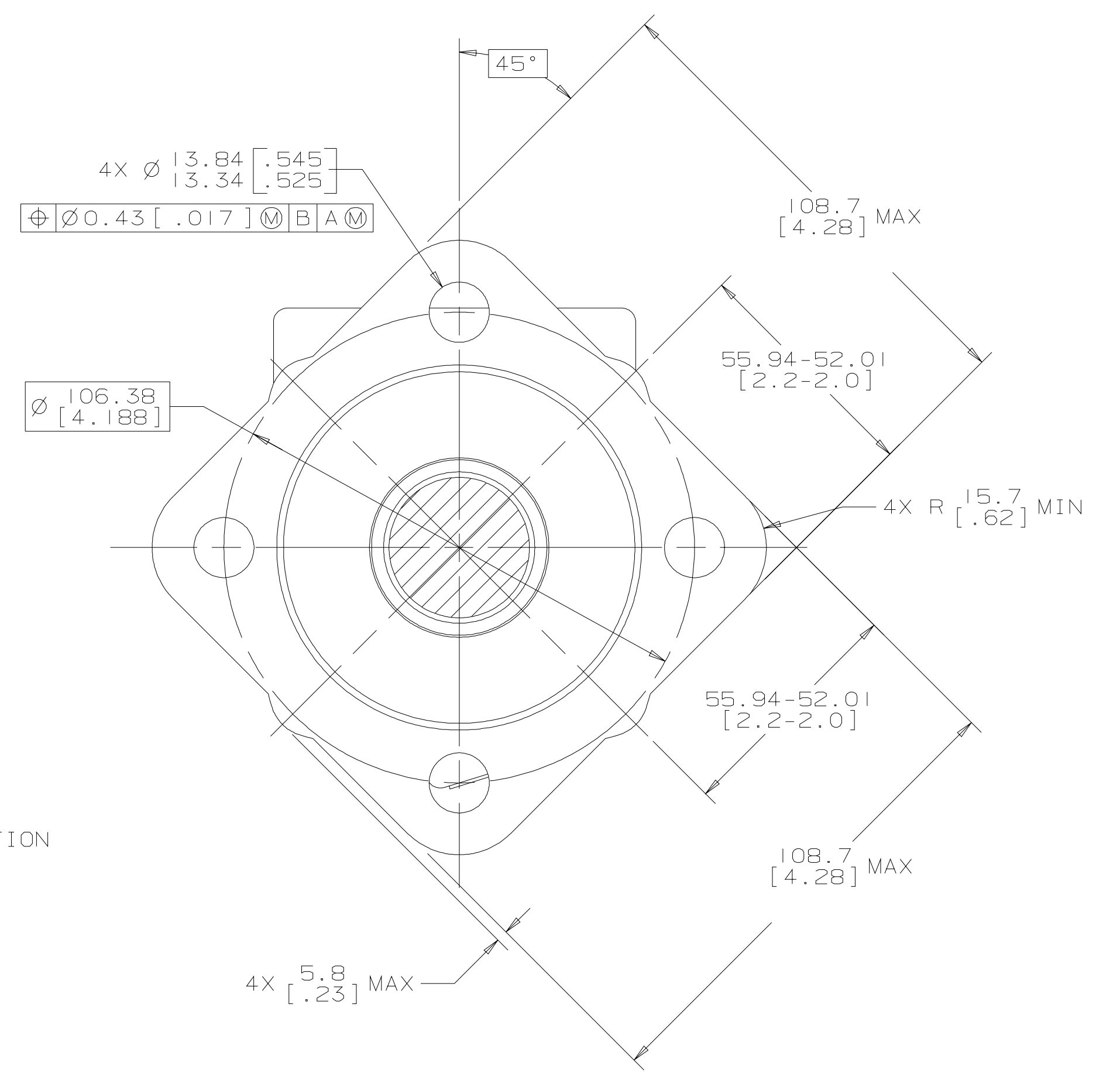
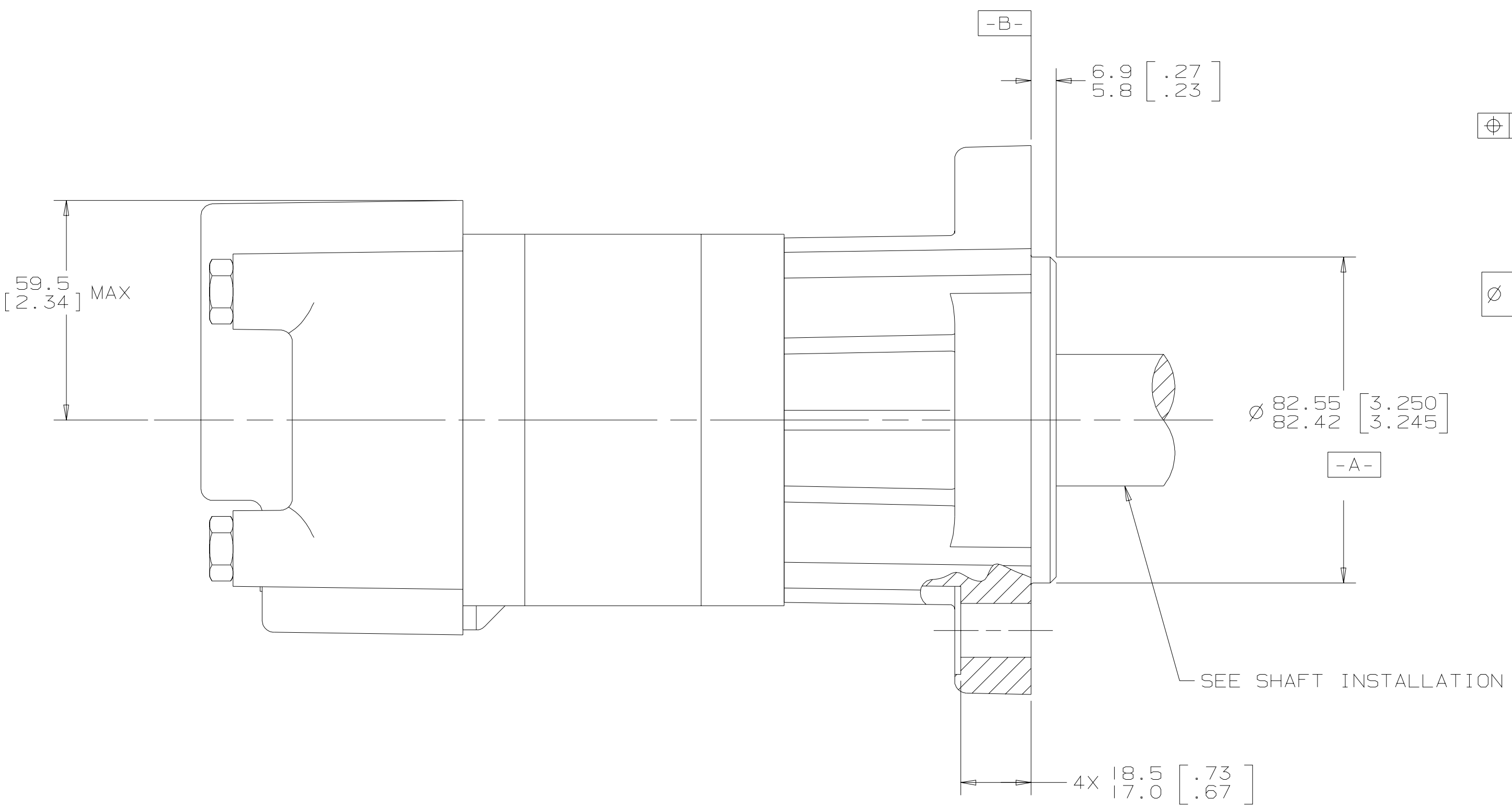
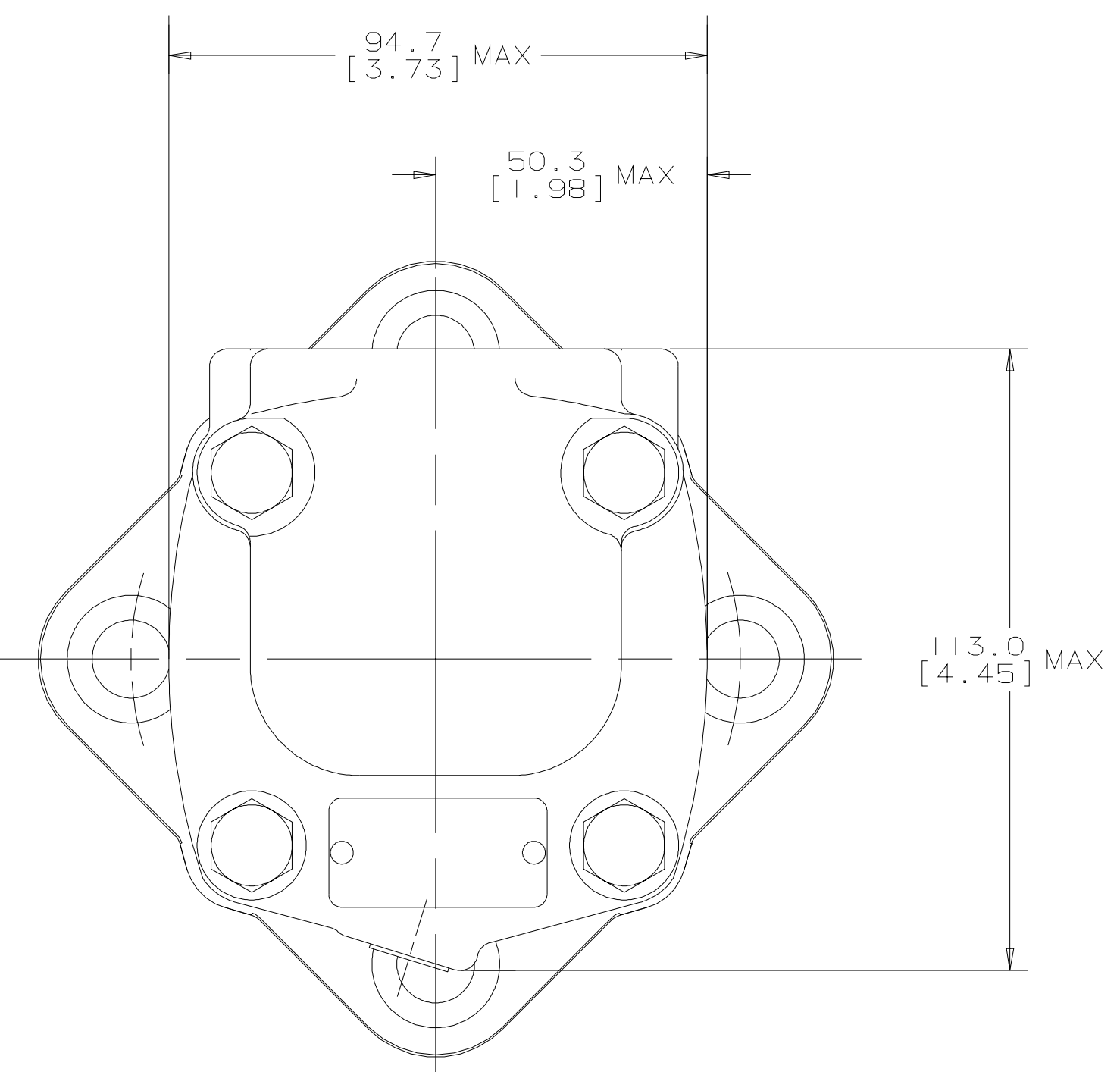
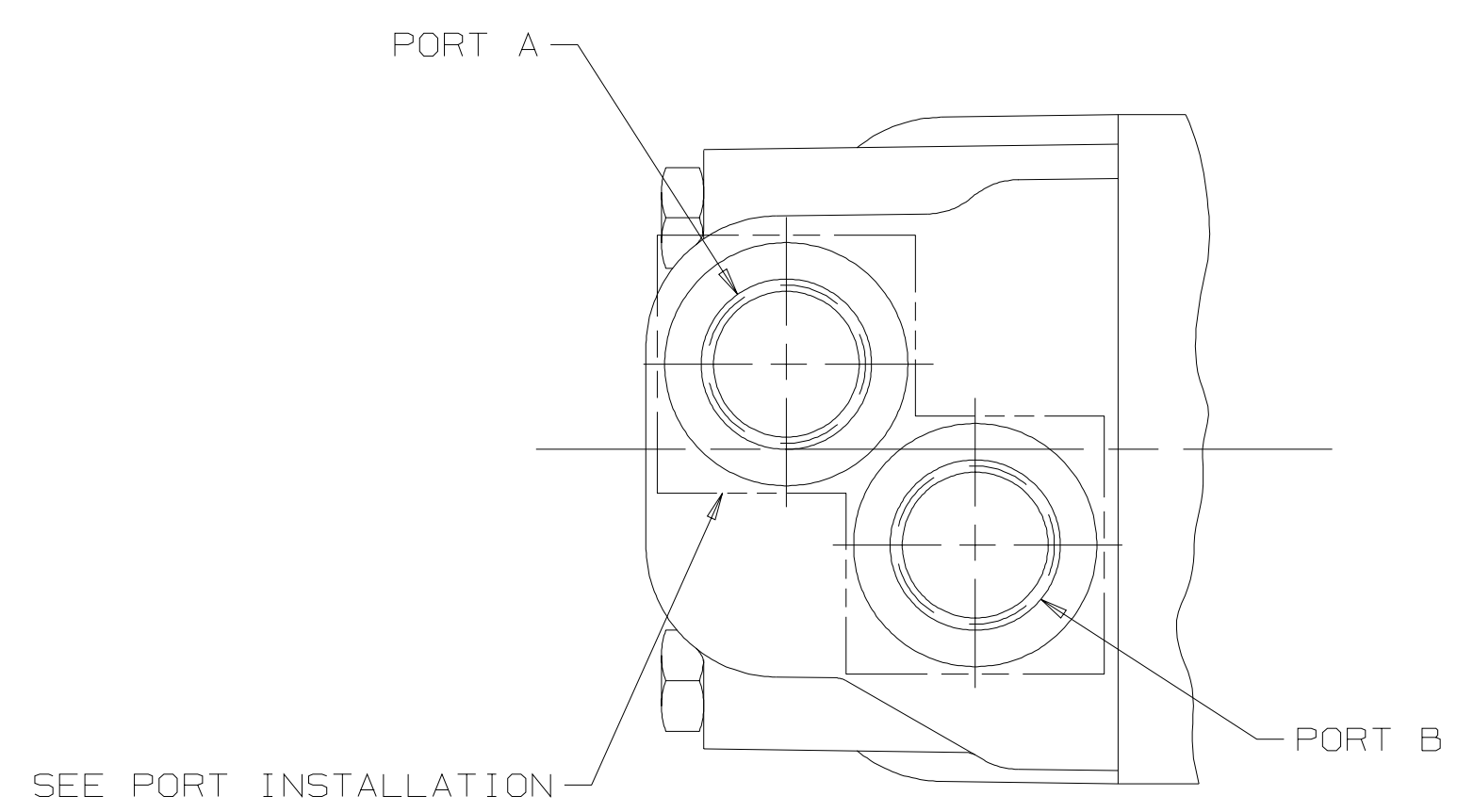


SYM	REVISION	BY	DATE	ECN
A	ENGINEERING RELEASE	RAF	4/14/93	23947
C	REVISED	MJZ	6-12-96	27921
D	(4A)NOTE 2 WAS MOUNTING TYPE: H	AGJ	5/13/02	41044
E	(3C)4X Ø 13.84/13.34 [.545/.525] WAS 4X Ø 13.72/13.46 [.540/.530]	AGJ	9-30-03	45504
F	REVISED	PRK	8/5/09	18334



NOTE

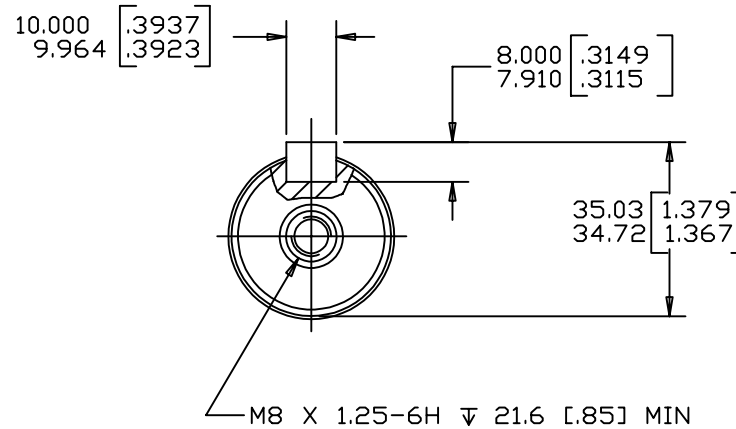
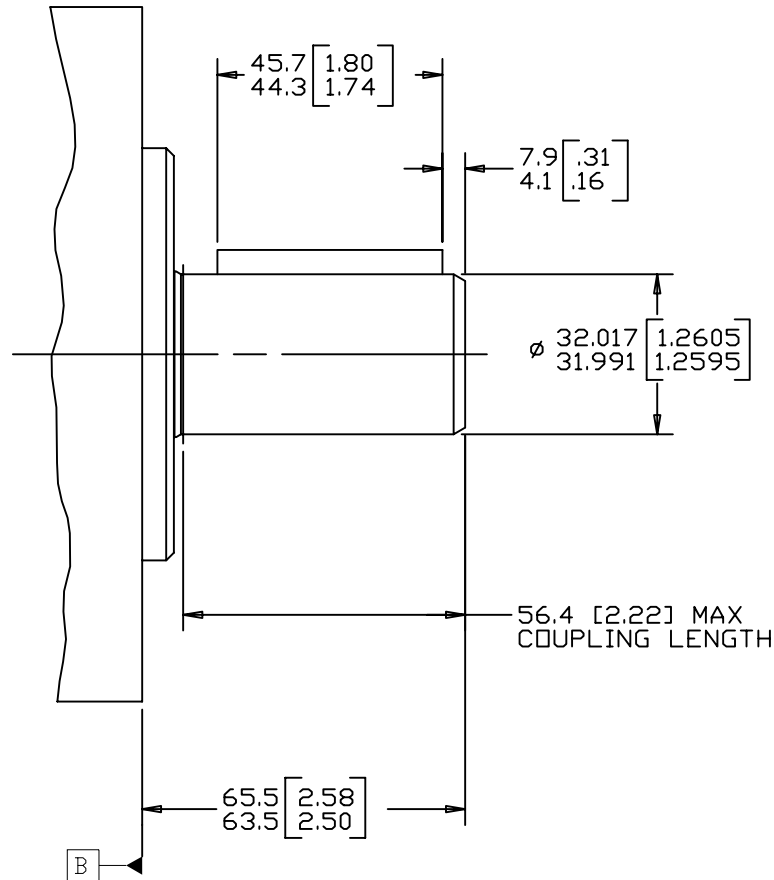
1 ROTATION:
STANDARD: WHEN FACING SHAFT END OF MOTOR, SHAFT TO ROTATE;
CLOCKWISE WHEN PORT "A" IS PRESSURIZED
COUNTERCLOCKWISE WHEN PORT "B" IS PRESSURIZED
REVERSE: WHEN FACING SHAFT END OF MOTOR, SHAFT TO ROTATE;
CLOCKWISE WHEN PORT "B" IS PRESSURIZED
COUNTERCLOCKWISE WHEN PORT "A" IS PRESSURIZED

2 MOUNTING TYPE: AH
STANDARD, 4 BOLT: Ø 82.6 [3.25] PILOT
Ø 13.59 [.535] HOLES ON Ø 106.4 [4.19] BOLT CIRCLE

UNLESS OTHERWISE SPECIFIED ALL DIMENSIONS ARE IN INCHES <input type="checkbox"/> MILLIMETERS <input checked="" type="checkbox"/>		DRAWING BASED ON ANSI Y14.5M-1982		
EATON CORPORATION - CONFIDENTIAL AND PROPRIETARY NOTICE TO PERSONS RECEIVING THIS DRAWING AND / OR TECHNICAL INFORMATION THIS DOCUMENT, INCLUDING THE DRAWING AND INFORMATION CONTAINED THEREON, IS CONFIDENTIAL AND IS THE EXCLUSIVE PROPERTY OF EATON CORPORATION AND IS HEREBY SO Labeled AND SUBJECT TO SOCIAL BY EATON AT ANY TIME. BY TAKING POSSESSION OF THIS DOCUMENT, THE RECIPIENT ACKNOWLEDGES AND AGREES THAT THIS DOCUMENT IS TO BE KEPT IN CONFIDENTIALITY AND IS NOT TO BE REPRODUCED, COPIED, OR TRANSMITTED IN ANY MANNER WITHOUT THE WRITTEN CONSENT OF EATON. IN THE CASE OF CONFLICTING CONSTRUCTION PROVISIONS, THIS NOTICE SHALL GOVERN THE TERMS OF THIS DOCUMENT. COPYRIGHT 2004 EATON CORPORATION - ALL RIGHTS RESERVED.				
TOLERANCES .xx ± REF .xxx ± ONLY UNSPECIFIED RADI ARE UNSPECIFIED DRAFT ANGLES ARE DRAWING FORMAT CADD <input checked="" type="checkbox"/> MANUAL <input type="checkbox"/>		DRAM: RAF BY/DATE: 4/15/93 CHECKED: K. RANDOLPH BY/DATE: 4-22-93 ENGR: M. BERNSTROM BY/DATE: 4-22-93 METALLURGY BY/DATE:	MATERIAL/HEAT TREAT TITLE: 2000 SERIES MOTOR INSTALL NUMBER: A-669-001 SCALE: 1/1 SHEET 1 OF 1	
THIRD ANGLE PROJECTION		ARITHMETICAL AVERAGE		

G S K

REV	DESCRIPTION	BY	DATE	ECN
A	ENGINEERING RELEASE	AGJ	5-26-93	22833
B	7.9/4.1[.31/.16] WAS 9.2/4.5[.36/.18]	RAF	2-8-96	M14882
C	ADDED MOUNTING TYPE OPTION W TO NOTE 1	AGJ	6-1-99	M21685
D	NOTE 1 WAS MOUNTING TYPE: OPTION H OR W	AGJ	5-13-02	41044
E	65.5/63.5 [2.58/2.50] WAS 65.8/63.5 [2.59/2.50]	AGJ	5-17-04	47918
F	NOTE 2 WAS OUTPUT SHAFT: OPTION 23 & 30	PM	4-4-06	54522
G	NOTE 1 WAS MOUNTING TYPE: OPTION AH, AW & AY	YUP	1-05-17	M103022



REVIEWED FOR CLASSIFICATION PER ESP-042

NOTE

- 1 MOUNTING TYPE: OPTION AH, AS, AW & AY
- 2 OUTPUT SHAFT: OPTION 16 & 22

UNLESS OTHERWISE SPECIFIED ALL DIMENSIONS ARE IN INCHES <input type="checkbox"/> MILLIMETERS <input checked="" type="checkbox"/>		DRAWING BASED ON ASME Y14.5-2009	
TOLERANCES X ± ---- .XX ± REF .XXX ± ONLY ∠ ± ----		EATON CORPORATION - CONFIDENTIAL AND PROPRIETARY NOTICE TO PERSONS RECEIVING THIS DRAWING AND / OR TECHNICAL INFORMATION THIS DOCUMENT, INCLUDING THE DRAWING AND INFORMATION CONTAINED THEREIN, IS CONFIDENTIAL AND IS THE EXCLUSIVE PROPERTY OF EATON CORPORATION, AND IS MERELY ON LOAN AND SUBJECT TO RECALL BY EATON AT ANY TIME. BY TAKING POSSESSION OF THIS DOCUMENT, THE RECIPIENT ACKNOWLEDGES AND AGREES THAT THIS DOCUMENT CANNOT BE USED IN ANY MANNER ADVERSE TO THE INTERESTS OF EATON, AND THAT NO PORTION OF THIS DOCUMENT MAY BE COPIED OR OTHERWISE REPRODUCED WITHOUT THE PRIOR WRITTEN CONSENT OF EATON. IN THE CASE OF CONFLICTING CONTRACTUAL PROVISIONS, THIS NOTICE SHALL GOVERN THE STATUS OF THIS DOCUMENT. COPYRIGHT 2008 EATON CORPORATION - ALL RIGHTS RESERVED.	
UNSPECIFIED RADII ARE ----		DRAWN BY/DATE A. JOHNSON 3-19-93	MATERIAL/HEAT TREAT
UNSPECIFIED DRAFT ANGLES ARE ----		CHECKED BY/DATE SDR 6-24-93	TITLE 2000 SERIES MOTOR SHAFT INSTALLATION
DRAWING FORMAT CADD <input checked="" type="checkbox"/> MANUAL <input type="checkbox"/>		ENGRG BY/DATE S.JZ 6-28-93	
THIRD ANGLE PROJECTION		METALLURGY BY/DATE ----	SCALE 1/1
DO NOT SCALE		ARITHMETICAL AVERAGE <input checked="" type="checkbox"/>	SHEET 1 OF 1

