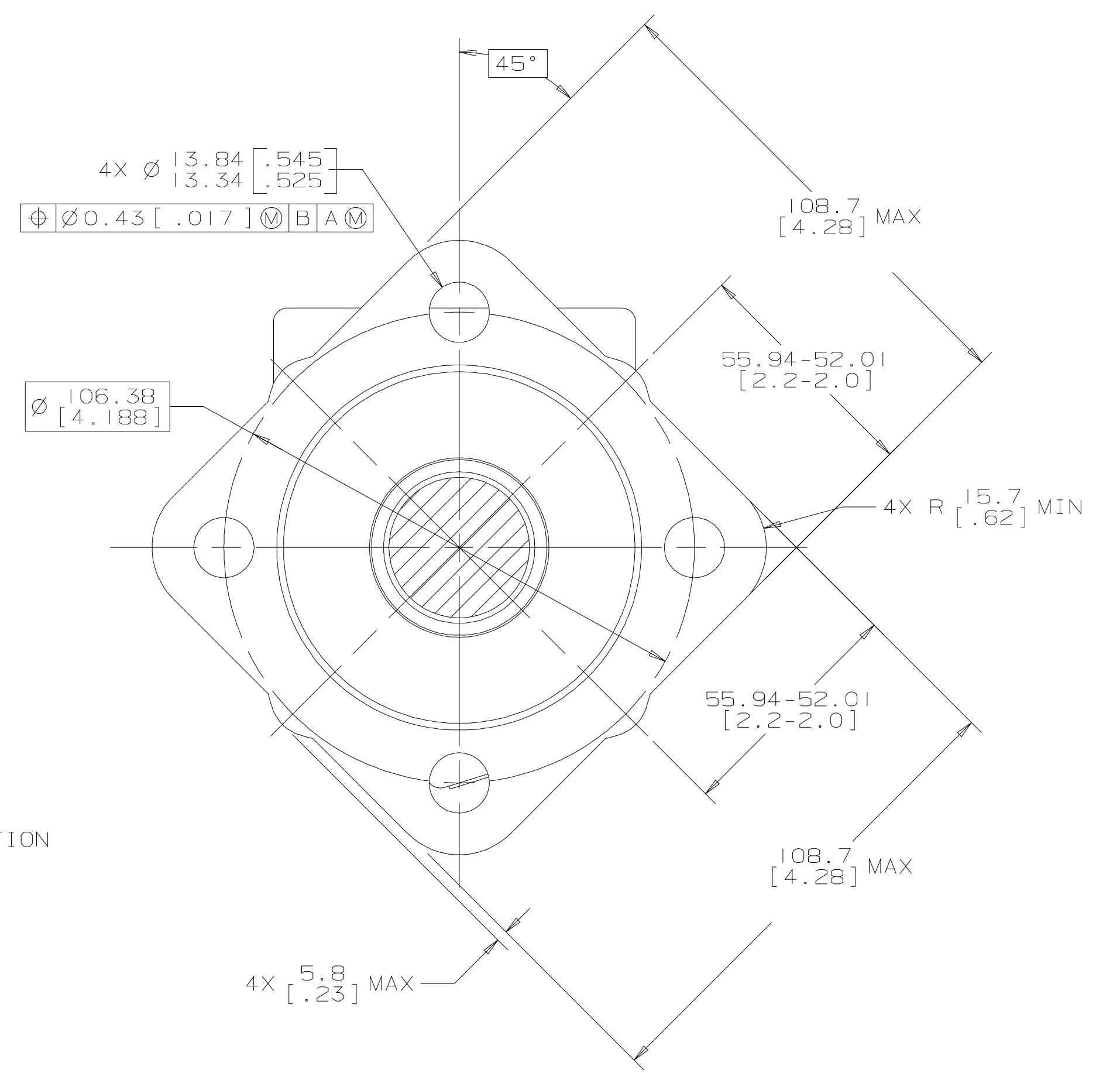
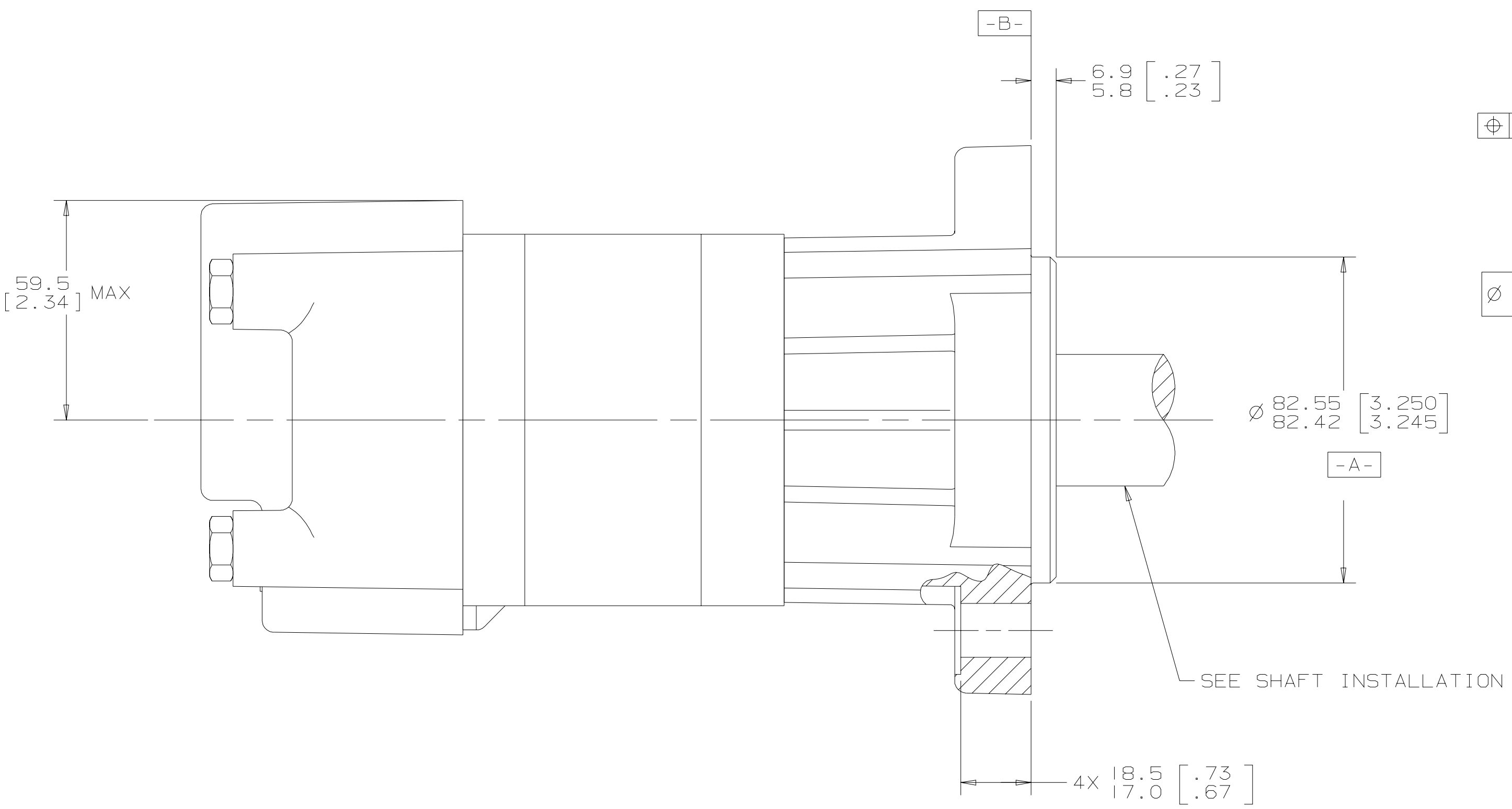
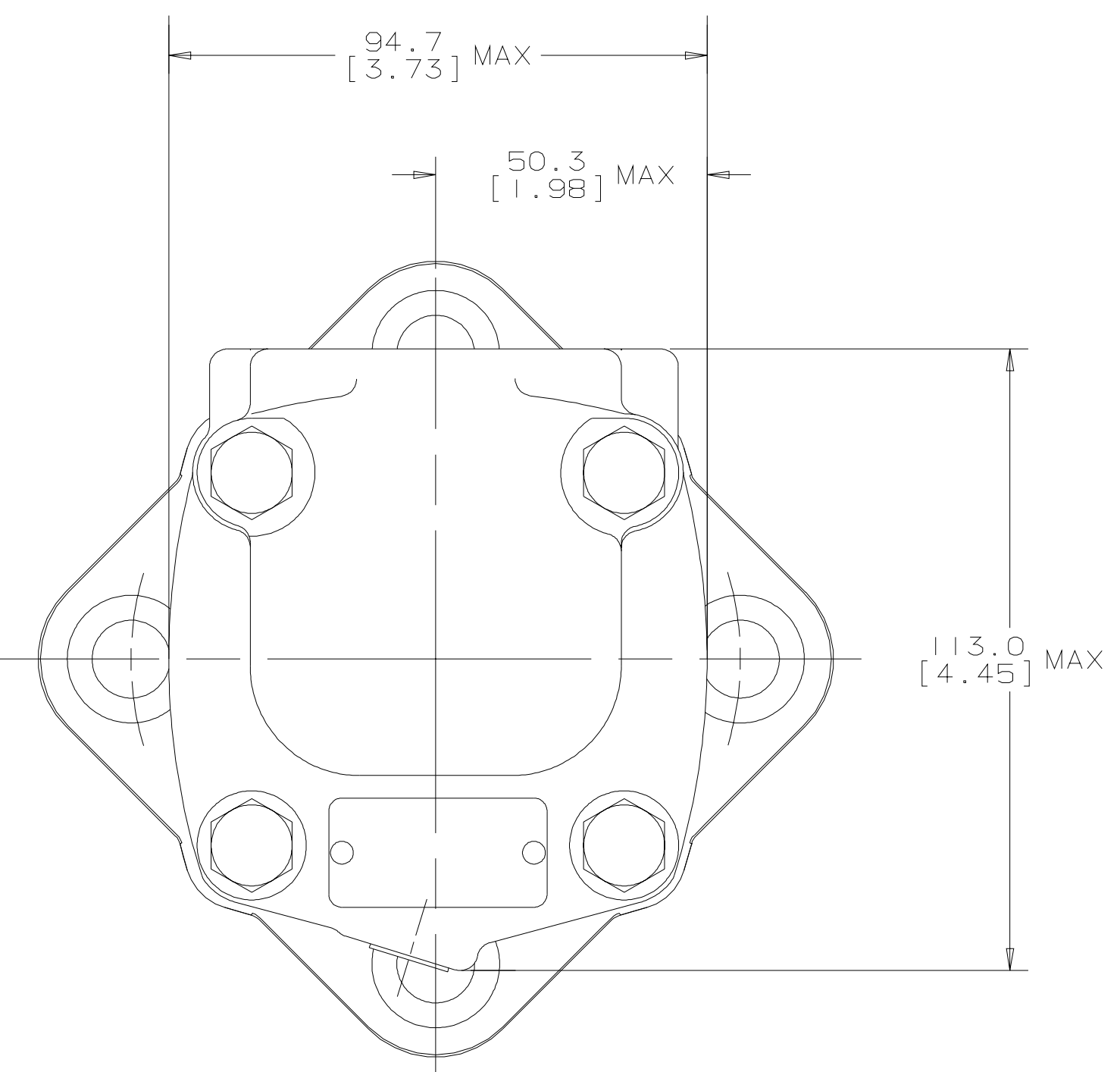
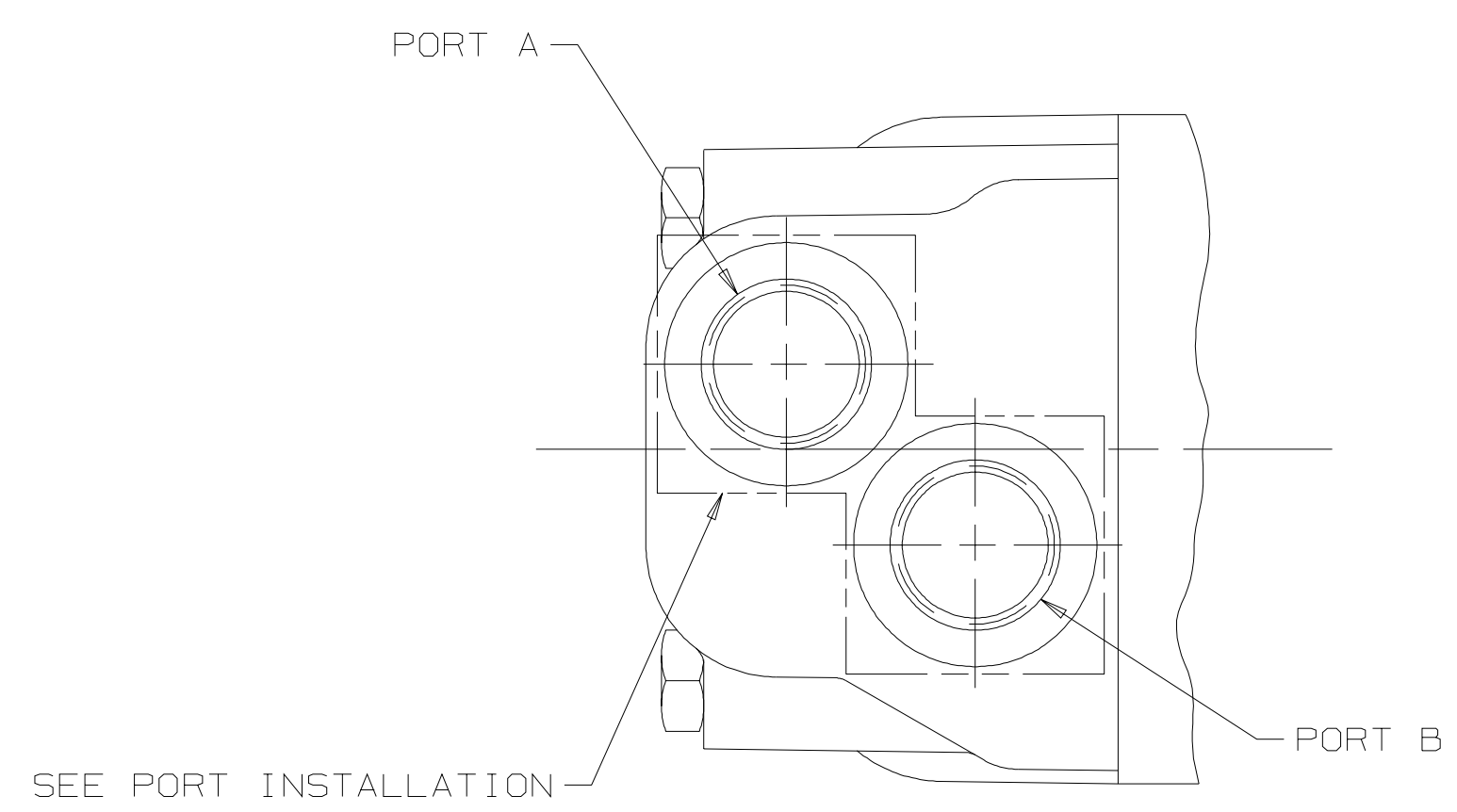


SYM	REVISION	BY	DATE	ECN
A	ENGINEERING RELEASE	RAF	4/14/93	23947
C	REVISED	MJZ	6-12-96	27921
D	(4A)NOTE 2 WAS MOUNTING TYPE: H	AGJ	5/13/02	41044
E	(3C)4X Ø 13.84/13.34 [.545/.525] WAS 4X Ø 13.72/13.46 [.540/.530]	AGJ	9-30-03	45504
F	REVISED	PRK	8/5/09	18334



NOTE

1 ROTATION:  
STANDARD: WHEN FACING SHAFT END OF MOTOR, SHAFT TO ROTATE;  
CLOCKWISE WHEN PORT "A" IS PRESSURIZED  
COUNTERCLOCKWISE WHEN PORT "B" IS PRESSURIZED  
REVERSE: WHEN FACING SHAFT END OF MOTOR, SHAFT TO ROTATE;  
CLOCKWISE WHEN PORT "B" IS PRESSURIZED  
COUNTERCLOCKWISE WHEN PORT "A" IS PRESSURIZED

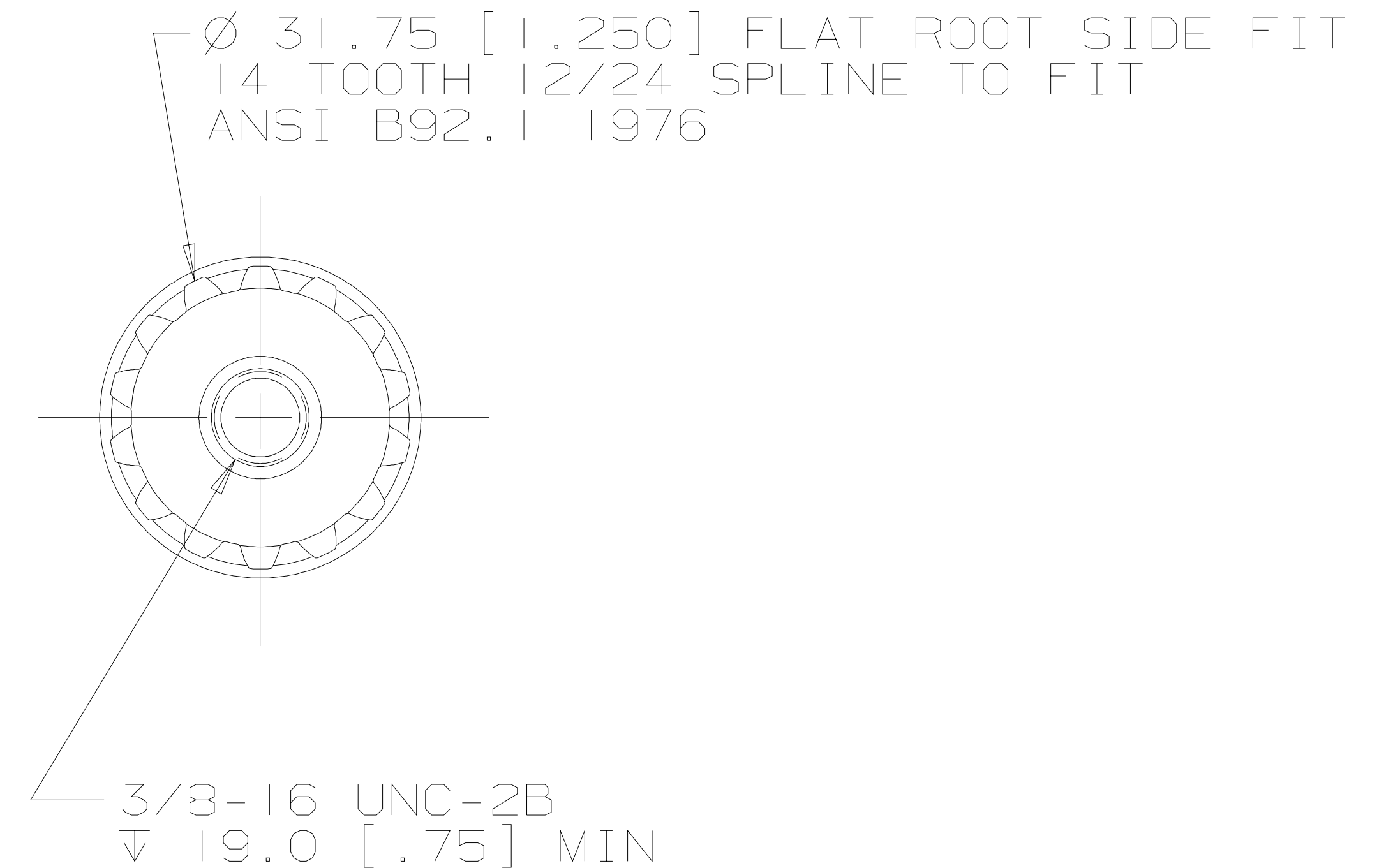
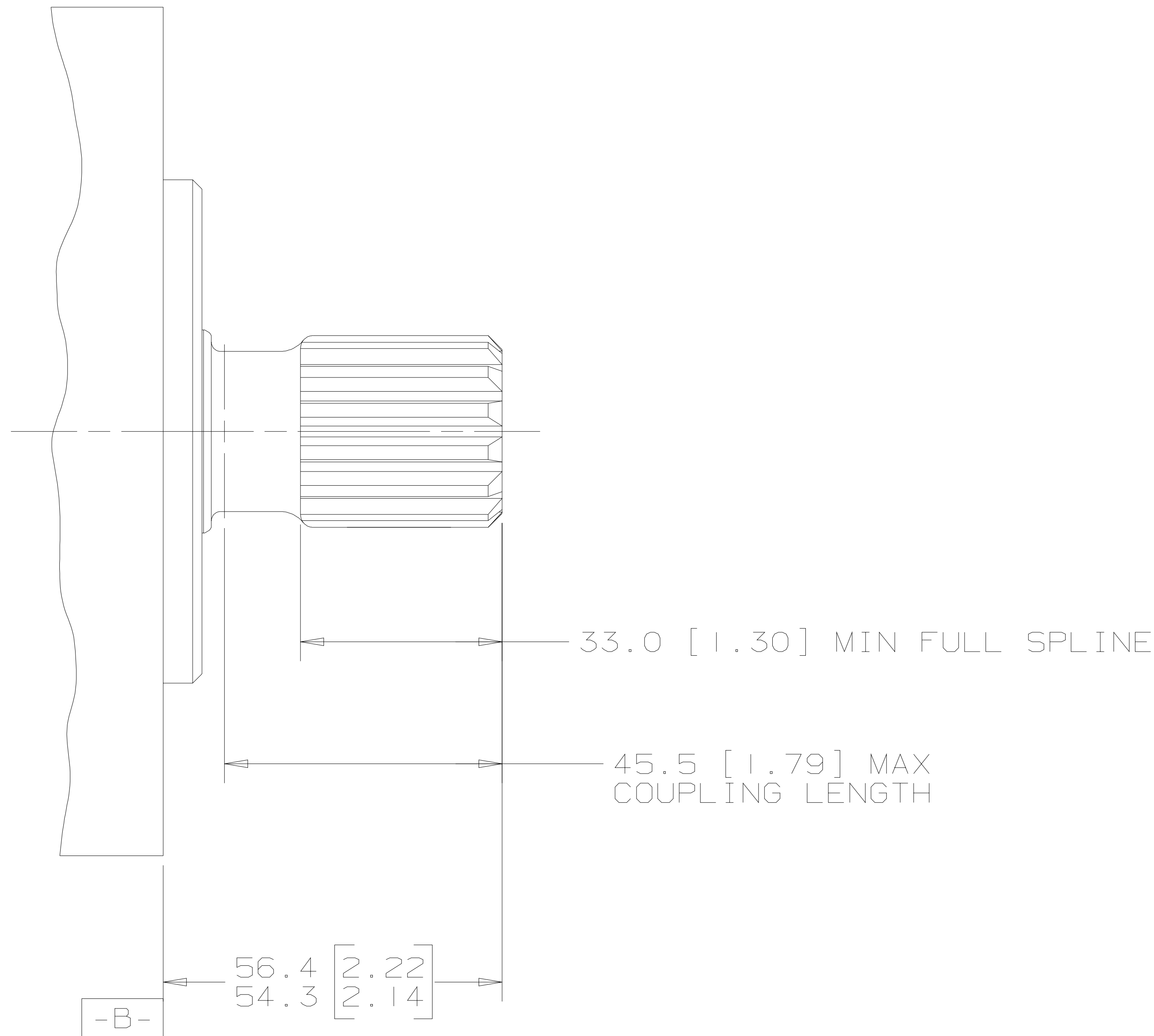
2 MOUNTING TYPE: AH  
STANDARD: 4 BOLT: Ø 82.6 [3.25] PILOT  
Ø 13.59 [.535] HOLES ON Ø 106.4 [4.19] BOLT CIRCLE

UNLESS OTHERWISE SPECIFIED ALL DIMENSIONS ARE IN		DRAWING BASED ON ANSI Y14.5M-1982	
INCHES <input type="checkbox"/>	MILLIMETERS <input checked="" type="checkbox"/>	EATON CORPORATION - CONFIDENTIAL AND PROPRIETARY NOTICE TO PERSONS RECEIVING THIS DRAWING AND / OR TECHNICAL INFORMATION	
TOLERANCES		THIS DOCUMENT, INCLUDING THE DRAWING AND INFORMATION CONTAINED THEREON, IS CONFIDENTIAL AND IS THE EXCLUSIVE PROPERTY OF EATON CORPORATION AND IS HEREBY SO Labeled AND SUBJECT TO SOCIAL BY EATON AT ANY TIME. BY TAKING POSSESSION OF THIS DOCUMENT, THE RECIPIENT ACKNOWLEDGES AND AGREES THAT THIS DOCUMENT IS TO BE KEPT IN CONFIDENTIALITY AND IS NOT TO BE REPRODUCED, COPIED, OR TRANSMITTED IN ANY MANNER WITHOUT THE WRITTEN CONSENT OF EATON. IN THE CASE OF CONFLICTING CONSTRUCTION PROVISIONS, THIS NOTICE SHALL GOVERN THE TERMS OF THIS DOCUMENT. COPYRIGHT 2004 EATON CORPORATION - ALL RIGHTS RESERVED.	
.xx ± REF	DRAIN BY/DATE RAF 4/15/93	MATERIAL/HEAT TREAT	
.xxx ± ONLY	CHECKED BY/DATE K. RANDOLPH 4-22-93	ENGINEER BY/DATE M. BERNSTROM 4-22-93	
UNSPECIFIED RADI ARE	METALLURGY BY/DATE	TITLE 2000 SERIES MOTOR INSTALL	
UNSPECIFIED DRAFT ANGLES ARE	THIRD ANGLE PROJECTION	MICROMETERS (MICROINCHES)	NUMBER A-669-001
DRAWING FORMAT CAD <input checked="" type="checkbox"/> MANUAL <input type="checkbox"/>	DO NOT SCALE	ARITHMETICAL AVERAGE	SCALE 1/1 SHEET 1 OF 1

G S K



REV	DESCRIPTION	BY	DATE	ECN
A	ENGINEERING RELEASE	AGJ	5-26-93	22833
B	ADDED MOUNTING TYPE W	WRD	2-12-97	M16907
C	NOTE 1 WAS MOUNTING TYPE: OPTION H OR W	AGJ	5-13-02	41044
D	56.4/54.3 [2.22/2.14] WAS 56.7/54.3 [2.23/2.14]	AGJ	5-17-04	47918
E	NOTE 2 WAS OUTPUT SHAFT: OPTION 04 & 28	PM	4-4-06	54522
F	ADDED MOUNTING TYPE: "AS"	JSB	2-5-10	M78336



NOTE

- 1 MOUNTING TYPE: OPTION AH OR AW OR AS
- 2 OUTPUT SHAFT: OPTION 04 & 21

UNLESS OTHERWISE SPECIFIED ALL DIMENSIONS ARE IN		DRAWING BASED ON ANSI Y14.5M-1982	
INCHES <input type="checkbox"/>	MILLIMETERS [INCHES] <input checked="" type="checkbox"/>	EATON CORPORATION - CONFIDENTIAL AND PROPRIETARY NOTICE TO PERSONS RECEIVING THIS DRAWING AND / OR TECHNICAL INFORMATION	
TOLERANCES		THIS DOCUMENT, INCLUDING THE DRAWING AND INFORMATION CONTAINED THEREON, IS CONFIDENTIAL AND IS THE EXCLUSIVE PROPERTY OF EATON CORPORATION AND IS MERELY ON LOAN AND SUBJECT TO RECALL BY EATON AT ANY TIME. BY TAKING POSSESSION OF THIS DOCUMENT, THE RECIPIENT ACKNOWLEDGES AND AGREES THAT THIS DOCUMENT CANNOT BE USED IN ANY MANNER ADVERSE TO THE INTERESTS OF EATON, AND THAT NO PORTION OF THIS DOCUMENT MAY BE COPIED OR OTHERWISE REPRODUCED WITHOUT THE PRIOR WRITTEN CONSENT OF EATON. IN THE CASE OF CONFLICTING CONTRACTUAL PROVISIONS, THIS NOTICE SHALL GOVERN THE STATUS OF THIS DOCUMENT. COPYRIGHT 2008 EATON CORPORATION - ALL RIGHTS RESERVED.	
.X ±----	.XX ±REF	DRAWN BY/DATE A. JOHNSON 3-19-93	MATERIAL/HEAT TREAT
.XXX ±ONLY	∠ ±----	CHECKED BY/DATE SDR 6-24-93	
UNSPECIFIED RADII ARE ----	UNSPECIFIED DRAFT ANGLES ARE ----	ENGRG BY/DATE SZ 6-28-93	TITLE 2000 SERIES MOTOR SHAFT INSTALLATION
DRAWING FORMAT CADD <input checked="" type="checkbox"/> MANUAL <input type="checkbox"/>	THIRD ANGLE PROJECTION	METALLURGY BY/DATE ----	NUMBER A-687-004
DO NOT SCALE	ARITHMETICAL AVERAGE <input checked="" type="checkbox"/>	SCALE 1/1	SHEET 1 OF 1

